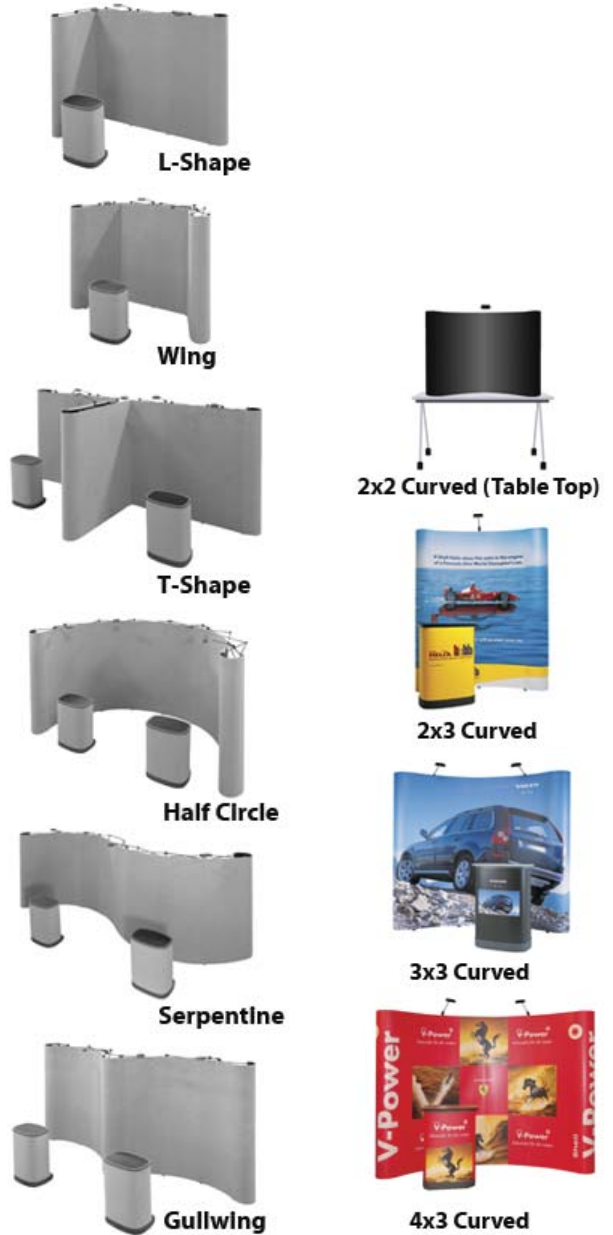


Expand 2000

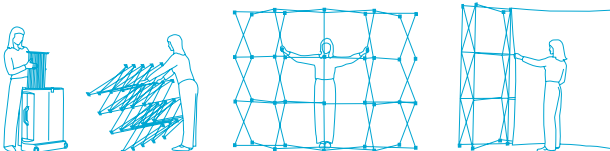


Bring your message to your target audience.



Expand 2000

With the Expand 2000, it's easy to display your message wherever your customers may be. Our Expand 2000 is an extremely easy-to-handle system that can be set up in less than 10 minutes – and you don't even need tools. Its large display area ensures maximum impact for your message and images – in any environment. Lighting is also available as an accessory to enhance your message even more.



The Expand 2000 is an effective tool for getting close to your target group – anywhere, in any situation. A podium and transport box all in one. It couldn't be easier. Your customers can gather around the sturdy podium during the day and, when you're finished, you can quickly and easily turn it into a transport box capable of carrying both images and accessories. You can even use the podium as an extra display for matching images in smaller formats. The podium's wooden top is available in different kinds of wood and colors.

Many Standard Heights and Widths Available including Curved, Straight and Deluxe Configurations